

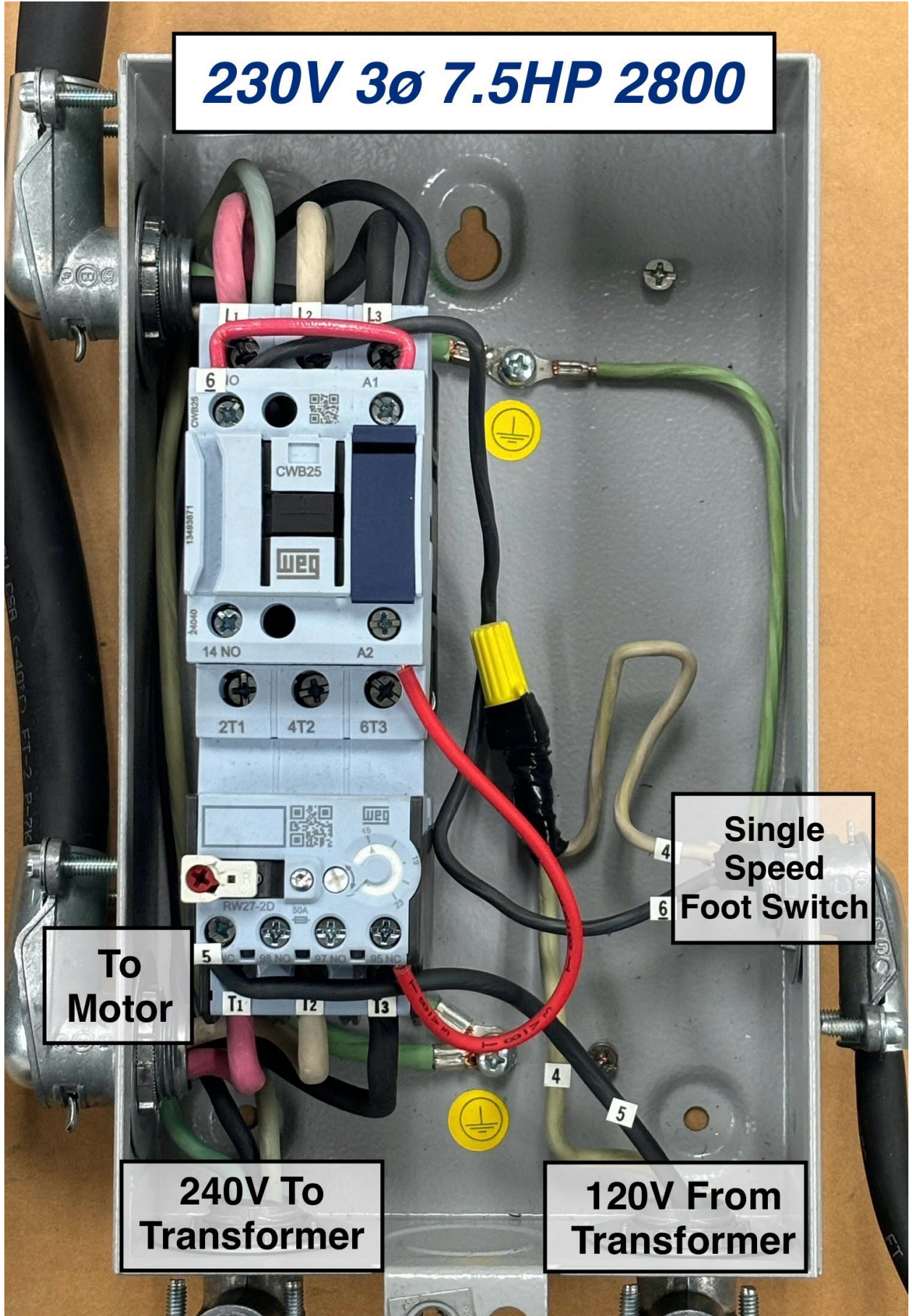
**230V 3 $\phi$  7.5HP 2800**

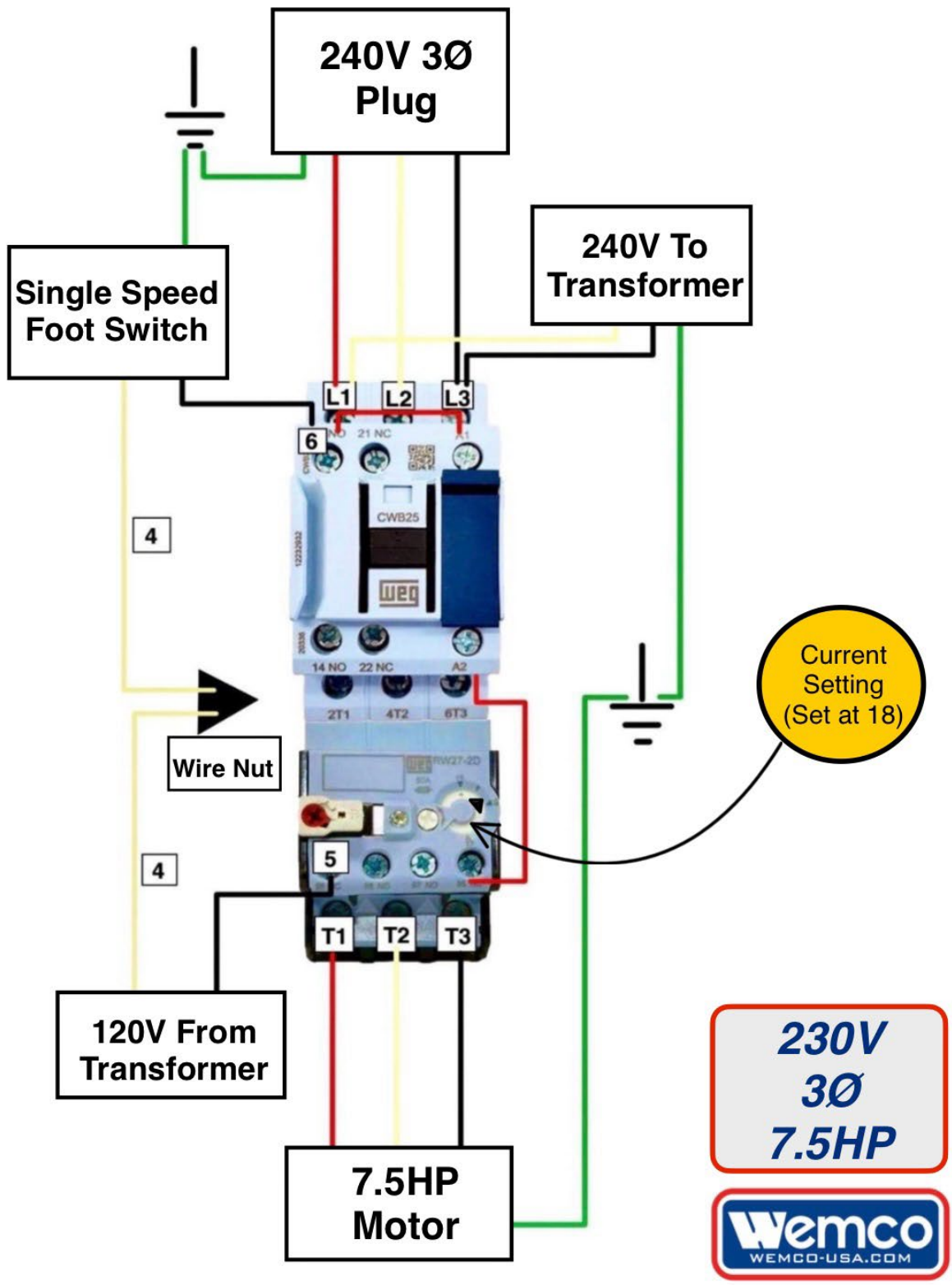
**To  
Motor**

**240V To  
Transformer**

**120V From  
Transformer**

**Single  
Speed  
Foot Switch**





Single Speed Foot Switch

240V 3Ø Plug

240V To Transformer

120V From Transformer

7.5HP Motor

Current Setting (Set at 18)

230V 3Ø 7.5HP

Wemco WEMCO-USA.COM

4

4

Wire Nut

L1 L2 L3

6

21 NC

CWB25

WEG

14 NO 22 NC

A2

2T1 4T2 6T3

5

T1 T2 T3

W27-2D

18

18

18

18

18

18

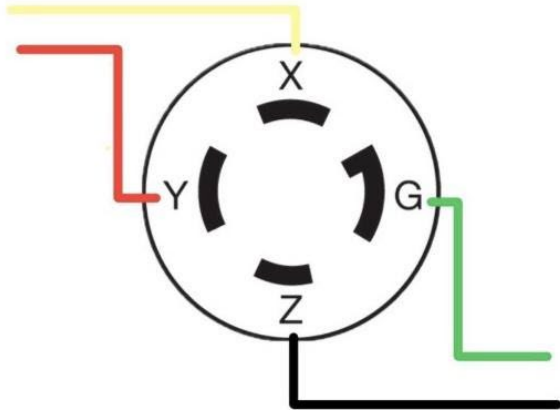
18

18

18

18

## Wiring For Baldor Motors

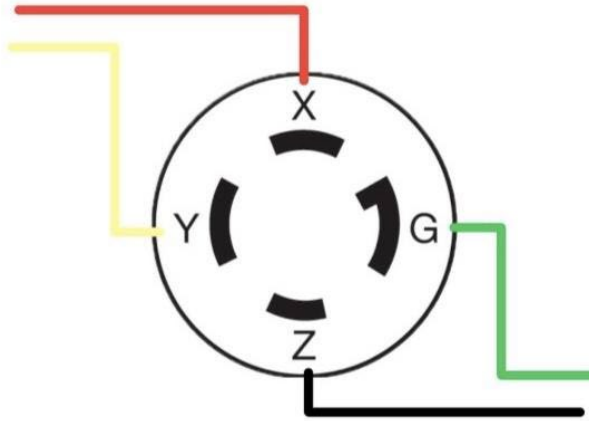


- X - WHITE
- Y - RED
- Z - BLACK
- G - GROUND

**30A 3 $\phi$**   
**125/250V AC**  
**NEMA L14-30P**



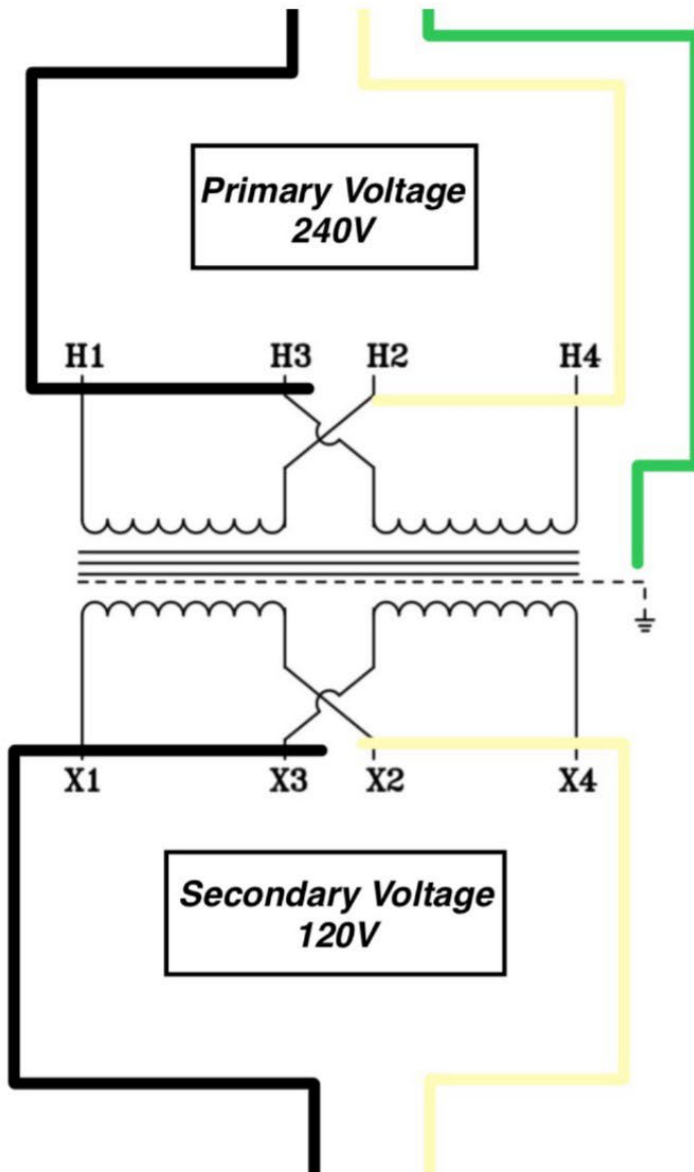
## Wiring For Westinghouse Motors



- X - RED
- Y - WHITE
- Z - BLACK
- G - GROUND

**30A 3 $\phi$**   
**125/250V AC**  
**NEMA L14-30P**





**0.25 KVA**  
**60HZ**  
**1 $\phi$**   
**Transformer**

